

BROAD
Combats
POLLUTION



BROAD CLEAN AIR 400-677-6666



AIRPRO SIMPLE

BROAD Clean Air Product AirPro Collection

Filter PM2.5 by 99%

Small, user-friendly, affordable
A must-have for temperate regions

Model: FE5



Fresh Air Volume 180 m³/hr

Area Coverage
20~40 m² per room
in mild climate areas

Filter PM2.5 by 99%

Fresh Air Ventilation

Coarse filter to be cleaned every 500 hrs

HEPA filter to be replaced every 3,000 hrs



Standard: GB/T18801-2015



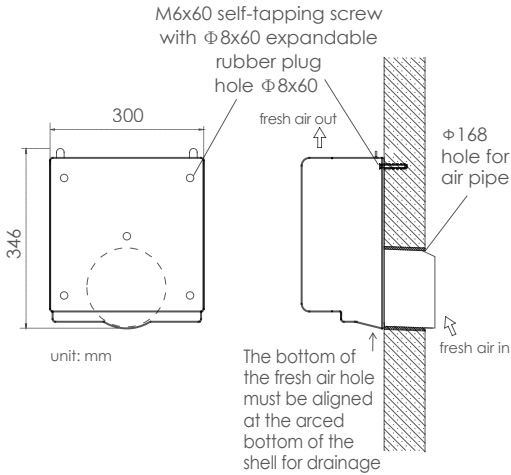
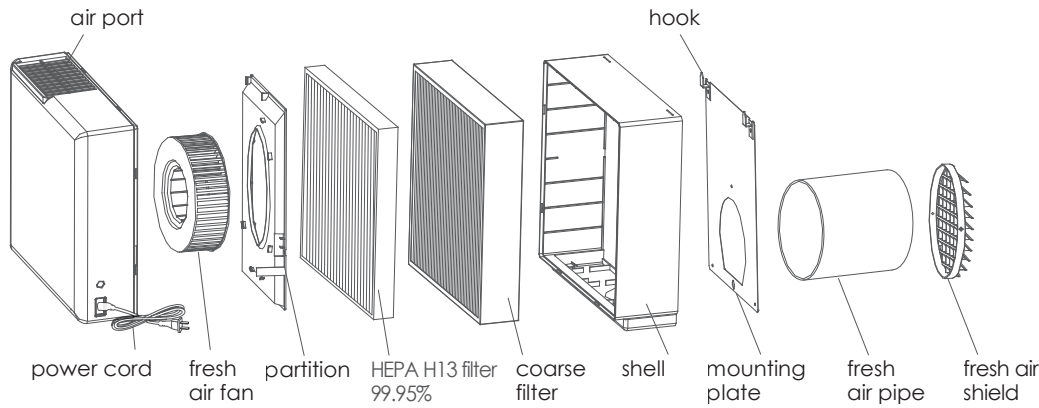
BROAD CLEAN AIR TECHNOLOGY
远大洁净空气科技有限公司

Sales: 400-677-6666 www.broadair.net

Service: 400-883-9333 BROAD Town, Changsha, China



■ Structural Diagram



■ Installation Process

1. Confirm the installation location
2. Drill the fresh air hole. The external opening should be 5~10mm lower than the internal opening to prevent rain penetration
3. Install the fresh air pipe and the water shield
4. Fill the gap between the air pipe and the wall hole with polyurethane, and keep it sealed
5. Drill 5 holes for the retaining bolts as per the mounting plate and the fresh air pipe
6. Knock the rubber plugs into the retaining bolt holes and screw down the bolts
7. Hang the machine on the mounting plate

■ Troubleshooting

No.	Problem	Cause	Solution
1	Insufficient air volume	The HEPA filter is blocked	Replace the HEPA filter
2	The outlet grille is stained	The polluted air flows back (if the filter is faulty, there is likely dirt in the fan)	Clean with a towel (to prevent water from entering the fan)
3	Button failure	The button is stuck or the wire is broken	Repair or replace it
4	The fan doesn't work	The power plug is loose and has poor connection	Unplug and plug back in
		The fan or the circuit board is broken	Repair or replace it

■ Parameter Table

Item	Level 1	Level 2	Level 3	Level 4	Level 5	Level 6
Air Volume m ³ /h	60	80	110	140	160	180
Power W	5	6	8	12	15	18
Noise dB(A)	26	30	36	40	42	46
Battery	AC 220V					
Filtration Efficiency	Filter PM2.5 by 99%					

■ Airflow Adjustment

- Power switch
- Level 1 (blue light): Suitable for sleep
- Level 2 (green light): Suitable for room
- Level 3 (yellow light): High air volume (Note the AirPro will be more audible at this setting)

■ Warranty

- 1-year warranty from the date of purchase. For problems caused by design, manufacturing or transportation from factory, free repair or replacement will be provided
- If the user is unable to provide a valid proof of purchase, the warranty period should be extended by 3 months according to the production date shown on the unit
- If the AirPro was damaged due to inappropriate use or storage, or the sticker was torn off, there will be a charge for repair

■ Filter Replacement (operate after powering off)

- When the air volume is less than 70%, the HEPA filter needs to be replaced
- Coarse filter washing: hold the machine upwards 4mm to remove it from the wall, take out the stainless steel coarse filter from the back of the machine to wash, dry and re-install. The coarse filter should be cleaned after 500 hours of use, or every half a month in heavily polluted areas
- HEPA filter replacement: remove the machine from the wall, take out the stainless steel coarse filter first, and then the HEPA filter for replacement. The HEPA filter should be replaced after 3,000 hours of use. When installing the HEPA filter, the arrow direction should be inward.

■ Maintenance

- Design life: 20 years (the bearing may need to be replaced during this period)
- Recommended maintenance:
 1. Wash the coarse filter every month;
 2. Replace the HEPA filter every four months;
 3. Check the filtration efficiency and ventilation effect regularly
- Service: 4100-833-9333
- Web: www.broadair.net

Quality Certificate/ Warranty Card

Name: AirPro Simple

Model: FE5

Serial Number: _____

Inspector: _____

Date of Purchase: _____

Shop: _____

Seller: _____

